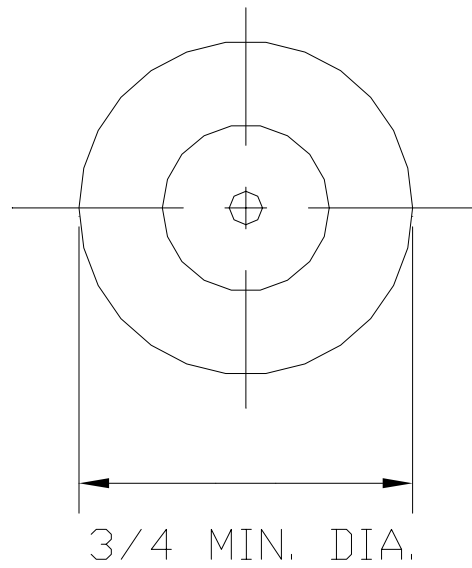
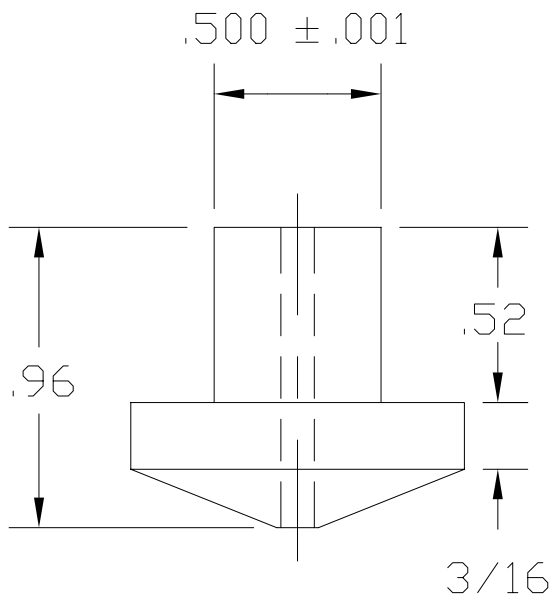
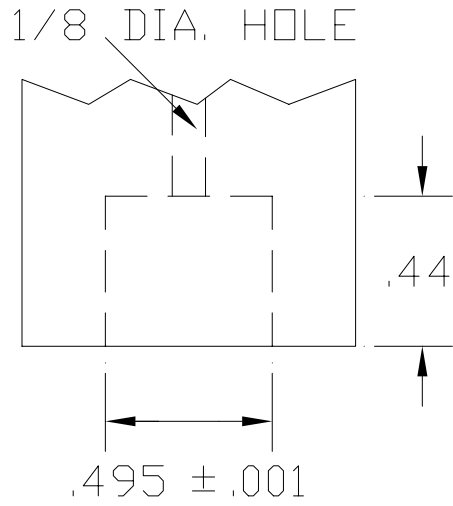



SEAL HOLDER



	CINCINNATI TEST SYSTEMS, INC. 5555 DRY FORK RD. CLEVELAND, OH 45002	
	PHONE 513-367-6699	FAX 513-367-5426
SEAL	CTS-19A	
	DATE 11-07-97	