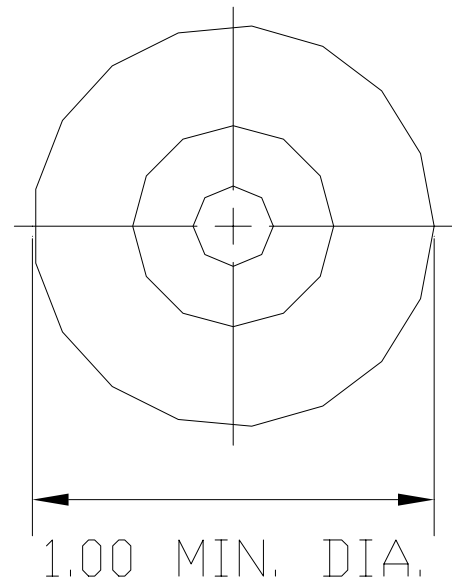
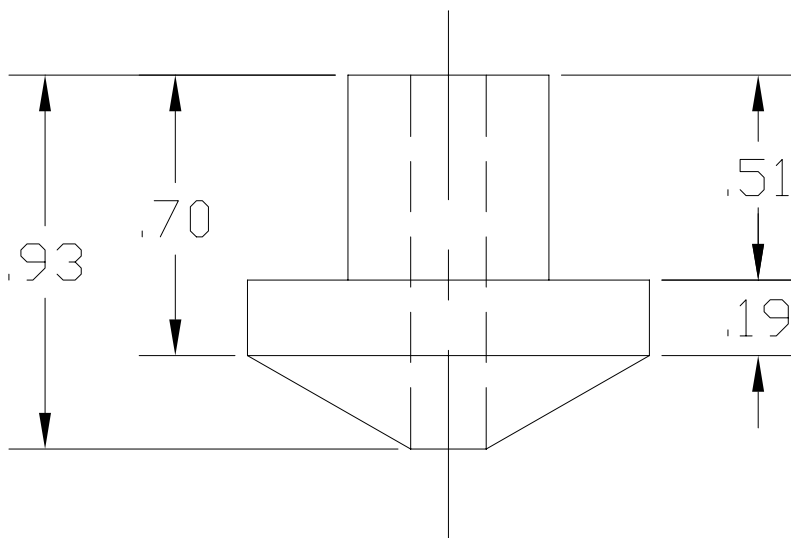
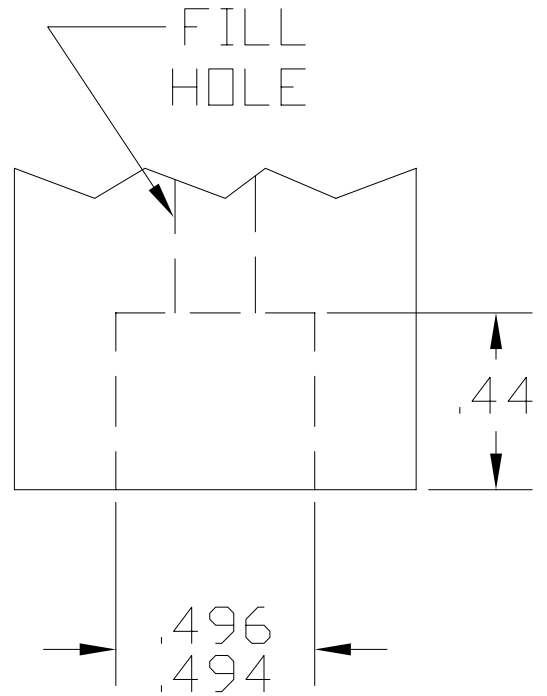


SEAL HOLDER
.20"



CINCINNATI TEST SYSTEMS, INC.

5555 DRY FORK RD. CLEVELAND, OH 45002

PHONE 513-367-6699

FAX 513-367-5426

SEAL

HCM-192

DATE 01-24-00