

8

7

6

5

4

3

2

1

D

D

C

C

B

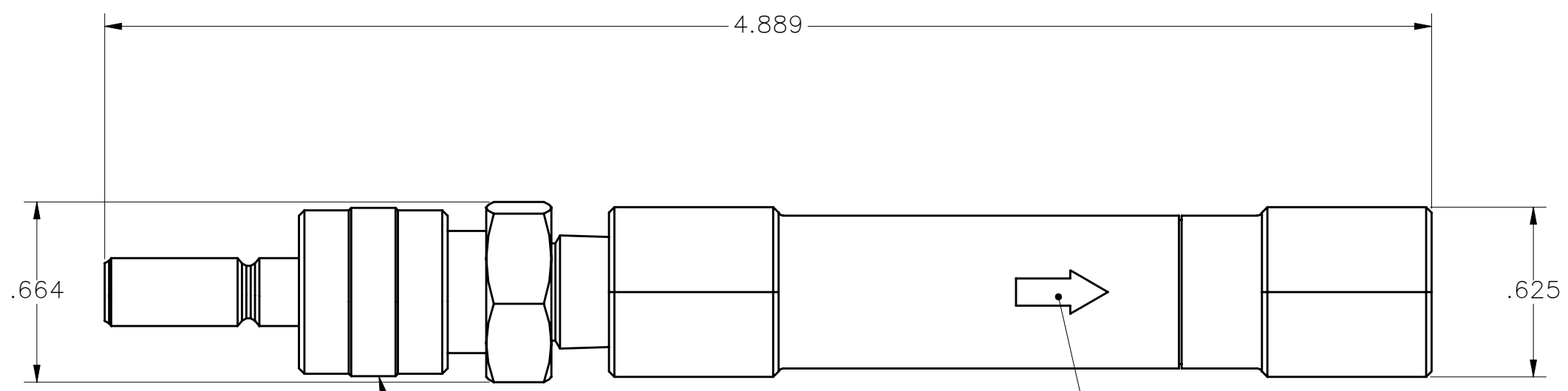
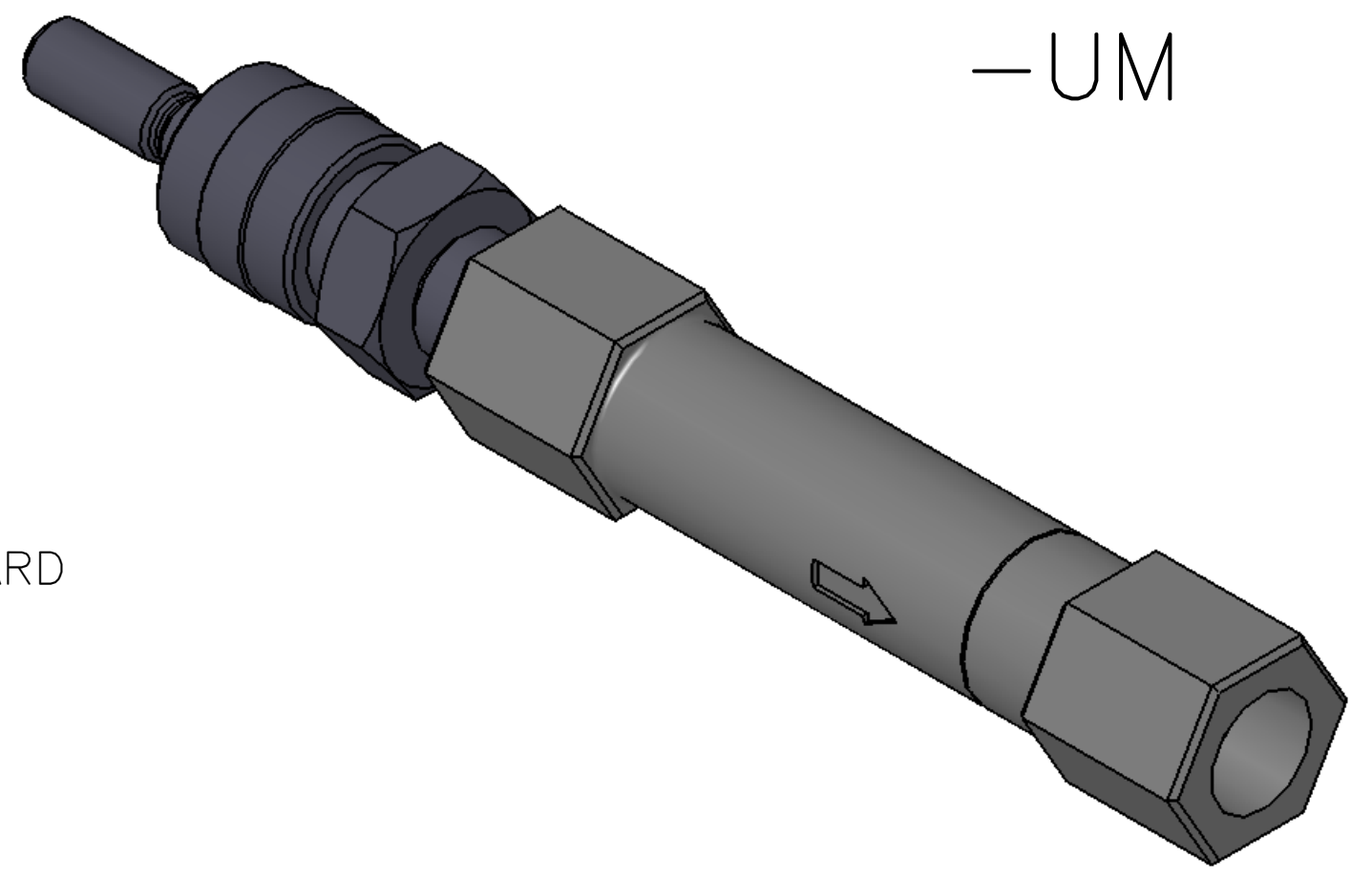
B

A

A

-UM

DROP IN REPLACEMENT FOR USON LEAK STANDARD



CONNECTS TO SWAGelok QUICK CONNECT B-QC4-B STYLE

DIRECTION OF FLOW

DESCRIPTION: LEAK STANDARD USON REPLACEMENT M	
MATERIAL:	
FINISH:	
QUANTITY:	HEAT TREAT:

SolidWorks 2008

UNLESS OTHERWISE SPECIFIED  
BREAK ALL SHARP CORNERS

TOLERANCES:  
1 PLACE DECIMAL ± .060" [0.50mm]  
2 PLACE DECIMAL ± .020" [0.13mm]  
3 PLACE DECIMAL ± .005"  
ANGULAR DIMS ± 0° 30'

✓ INDICATES 125/  
500 MAXIMUM FINISH REQ'D ON SURFACES WITHOUT A SYMBOL

DRILLED AND COUNTERBORED  
HOLE DIAMETERS:  
-.005" / +.015" [-0.13mm / +0.4mm]



CINCINNATI TEST SYSTEMS 5555 DRY FORK RD., CLEVELAND, OH 45002	
CUSTOMER:	
TITLE:	
DRAWN BY:	DATE:
CHECKED BY:	SCALE: 1:1
DWG NO.:	REV:
LEAK STANDARD 520-UM	SHEET:

8

7

6

5

4

3

2

1

Wednesday, April 15, 2008